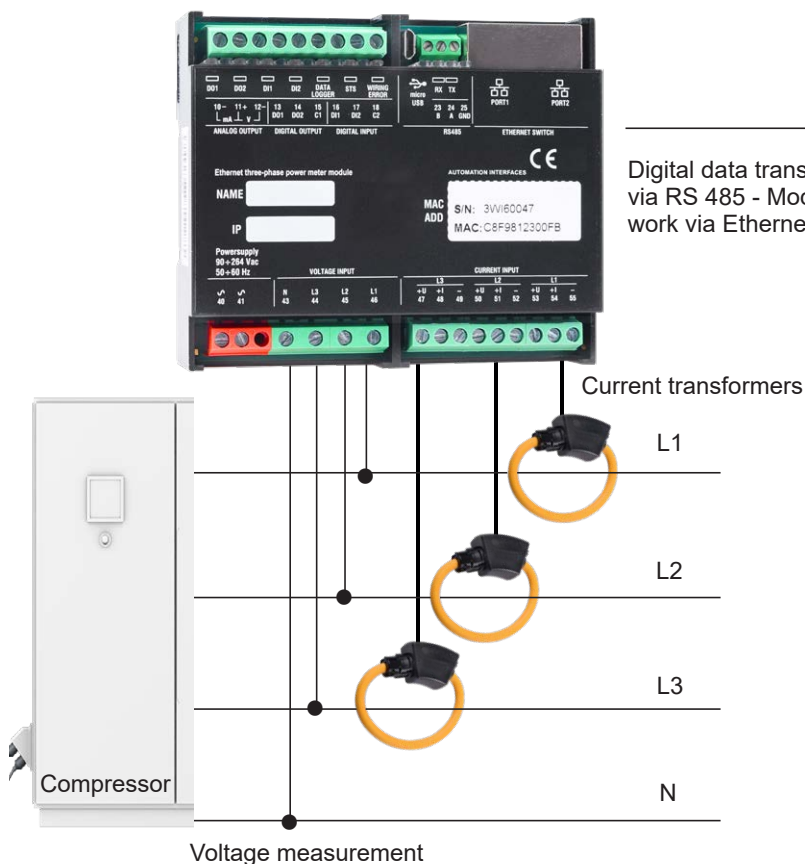




CS PM Flex - Current/effective power meter with Rogowski Coils

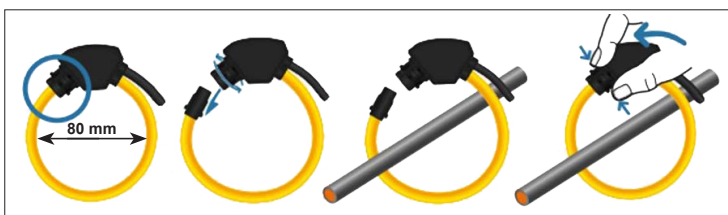


Measures voltage, current and calculates:

- Effective power [kW]
- Apparent power [kVA]
- Reactive power [kVar]
- Active energy [kWh]
- cos phi

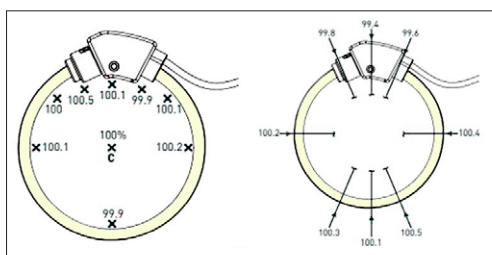
Rogowski Coil:

The split coil bobbin allows subsequent, quick and easy installation



Accuracy range:

C: Conductor in centred position



TECNICAL DATA CS PM Flex

Parameters:	Voltage (Volt) Current (Ampere) Cos phi Effective power (kW) Apparent power (kVA) Reactive power (kVar) Active energy (kWh) Power frequency (Hz) All parameters are transferred digitally to DS 500/ CS Network.
Measuring range:	Voltage measurement: max. 600 VAC, 45-65 Hz Current measurement: 10 - 3000 A @ 50 Hz 10 - 2500 A @ 60 Hz
Accuracy	
Current measurement / active energy:	± 0,5%
Accuracy voltage measurement:	± 0,2 %
Interfaces:	RS 485 and Ethernet
Dimensions:	90 x 107 x 32 mm (B x H x T)
Operating temperature:	-25...+55 °C

DESCRIPTION	ORDER NO.
CS PM Flex Current/effective power meters for top-hat rail mounting, with RS485 and Ethernet interface	0554 5358
Rogowski Coil (Ø 80 mm) connectable to CS PM Flex incl. 3 m connection cable with open ends	0554 5359