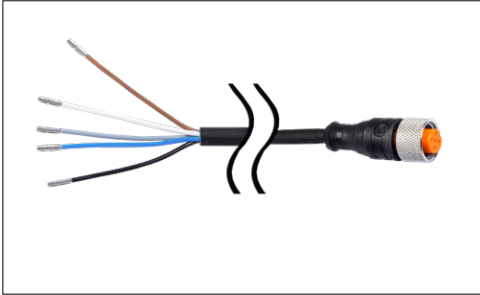
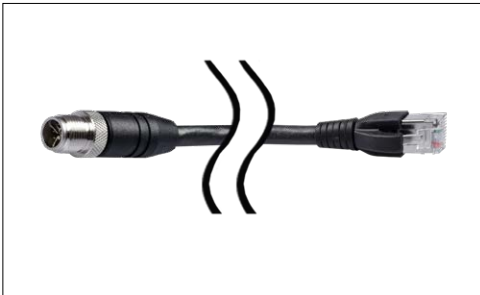




### Accessories VA 500/520/525



DESCRIPTION	ORDER NO.
Connection cable for VA/FA series, 16 ft	0553 0104
Connection cable for VA/FA sensors, 32 ft	0553 0105
Connection cable for VA/FA series, 66 ft	0553 0120
Cable for alarm/pulse output, with M12 plug, 16 ft	0553 0106
Cable for alarm/pulse output, with M12 plug, 32 ft	0553 0107
Connection cable for VA/FA series, 16 ft shielded	0553 0129
Connection cable for VA/FA series, 32 ft shielded	0553 0130



DESCRIPTION	ORDER NO.
Ethernet connection cable, length 16 ft, M12 plug x-coded (8 pin) to RJ 45 plug	0553 2503
Ethernet connection cable, length 32.81 ft, M12 plug x-coded (8 pin) to RJ 45 plug	0553 2504



DESCRIPTION	ORDER NO.
M12 T-plug for VA 500/520 for connecting multiple sensors to an M-Bus or Modbus network	0 2000 0823



DESCRIPTION	ORDER NO.
M12 plug for VA 500/520/525	0 2000 0082
M12 plug 90° angled	0219 0060

### Accessories VA 500/550



DESCRIPTION	ORDER NO.
Drilling jig incl. drill (Ø 0.5 Inch)	0530 1108



DESCRIPTION	ORDER NO.
Wall thickness measuring device CS 0495 incl. case and calibration block	0560 0495



DESCRIPTION	ORDER NO.
Welding nipple, L = 1.3 inch, male thread, R 1/2" stainless steel 1.4301	3300 0006
Welding nipple, L = 1.3 inch, male thread, R 1/2" stainless steel 1.4571	3300 0007



DESCRIPTION	ORDER NO.
Ball valve I/I G 1/2" stainless steel	3300 0002



DESCRIPTION	ORDER NO.
High-pressure protection recommended for installation from 145 to 725 psi (for VA 400/500)	0530 2205

Order code: **0530 2205 \_A1\_B1\_C1\_D1**

Sensor Type	
A1	VA 500 (up to 725 psi)
A2	VA 550 (up to 1450 psi)
A3	VD 500 (up to 290 psi)

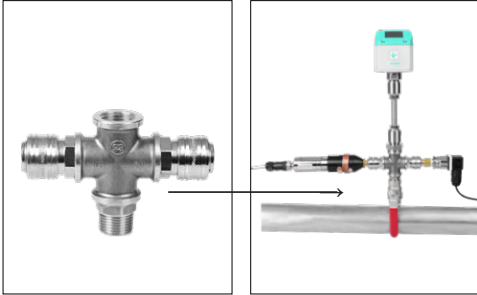
Sensor length	
B1	160 mm
B2	220 mm
B3	300 mm
B4	400 mm
B5	500 mm
B6	600 mm

Connection thread	
C1	G 1/2"
C2	NPT 1/2"

Approval	
D1	without
D2	DVGW (up to 232 psi)



## Accessories VA 500/550

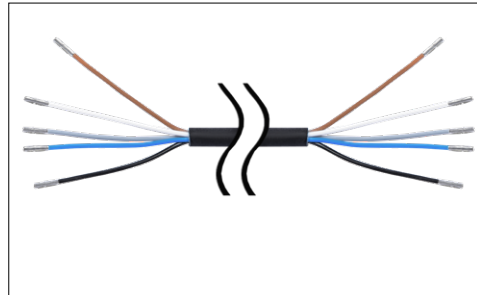


DESCRIPTION	ORDER NO.
X-connection for connection of pressure and dew point sensor at the same measuring point (incl. 2x quick-lock coupling)	0553 0133



DESCRIPTION	ORDER NO.
Thread adapter G 1/2" female thread to NPT 1/2" male thread	0553 0134

## Accessories VA 550/570



DESCRIPTION	ORDER NO.
Connection cable 16 ft with open ends	0553 0108
Connection cable 32 ft with open ends	0553 0109



DESCRIPTION	ORDER NO.
PNG cable screwing M20 x 1.5 - for standard	0553 0552
PNG cable screwing M20 x 1.5 - for ATEX	0553 0551

## Accessories VA 520/570



DESCRIPTION	ORDER NO.
Closing cap for measuring section VA 520 / VA 570 (material: aluminum)	0190 0001
Closing cap for measuring section VA 520 / VA 570 (material: stainless steel 1.4571)	0190 0002

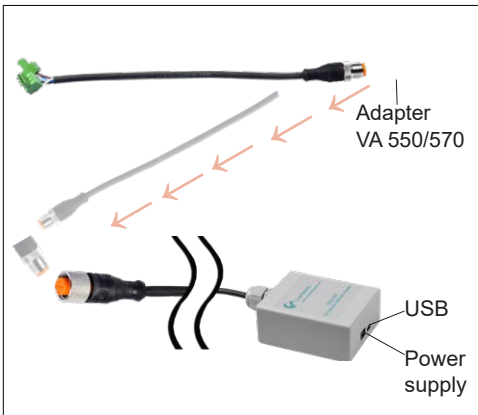
## Accessories for all VA 5xx



DESCRIPTION	ORDER NO.
Mains unit in wall housing for maximum 2 sensors of the series VA/FA 5xx, 100-240 V, 23 VA, 50-60 Hz / 24 VDC, 0.35 A	0554 0110
Mains unit in wall housing for max. 4 sensors of the series VA500/520 100-240 V, 23 VA, 50-60 Hz / 24 VDC, 0,35 A	0554 0111



DESCRIPTION	ORDER NO.
AC adapter plug 100-240 VAC / 24 VDC for VA/FA 5xx	0554 0109



DESCRIPTION	ORDER NO.
CS Service Software incl. PC connection set, USB connection and interface adapter to the sensor	0554 2007

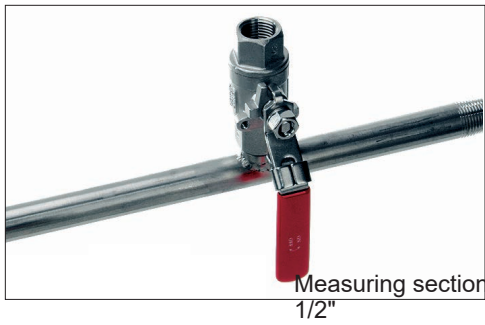


DESCRIPTION	ORDER NO.
External Gateway PROFIBUS for connection to integrated RS 485 interface	Z500 3008
External Gateway PROFINET for connection to integrated RS 485 interface	Z500 3009



DESCRIPTION	ORDER NO.
Case for all sensors (dimensions: 19.6 x 14.1 x 4.7 inch)	0554 6006

## Practical measuring section accessories



MALE THREAD	PIPE (OUTER Ø X WALL THICKNESS)	TOTAL LENGTH	ORDER NO.
R 1/2"	21.3 x 2.6 mm	19.69 Inch	4000 0015
R 3/4"	26.9 x 2.6 mm	23.62 Inch	4000 0020
R 1"	33.7 x 3.2 mm	29.53 Inch	4000 0025
R 1 1/4"	42.4 x 3.2 mm	35.43 Inch	4000 0032
R 1 1/2"	48.3 x 3.2 mm	39.37 Inch	4000 0040
R 2"	60.3 x 3.6 mm	49.00 Inch	4000 0050
R 2 1/2"	76.1 x 3.6 mm	59.00 Inch	4000 0065
<b>From DN 80 with flange DIN 2633</b>			
DN 80/88.9	88.9 x 2.0 mm	72.38 Inch	4000 0080
DN 100/114.3	114.3 x 2.0 mm	82.83 Inch	4000 0100
DN 125/139.7	139.7 x 3.0 mm	112.60 Inch	4000 0125
DN 150/168.3	168.3 x 3.0 mm	122.44 Inch	4000 0150

### Measuring sections for precise measurements:

Measuring section in stainless steel 1.4301 incl. ball valve, up to 2 1/2" with R-male thread, from 3" with weld neck flange in acc. with DIN 2633.

## Practical spot drilling collar accessories for compressed air lines



If there is no measuring site with 1/2" ball valve present on existing pipes, it can be set up quickly and cost-effectively by means of spot drilling collars. The spot drilling collar is imposed onto the pipe and tightened via thread rods. The enveloping rubber gasket is pressure-tight up to 11 bar. By means of the drilling jig, it is possible to drill the spot drilling collar through the 1/2" ball valve into the existing pipe.

**Important:** Please indicate the exact outer diameter of the existing pipe when placing the order resp. please select the suitable spot drilling collar from the adjoining list.

DESCRIPTION	Ø	ORDER NO.
Spot drilling collar for pipe Ø 032 - 036 mm, length: 3.9 Inch*		0500 0446
Spot drilling collar for pipe Ø 036 - 040 mm, length: 3.9 Inch*		0500 0448
Spot drilling collar for pipe Ø 040 - 044 mm, length: 6.1 Inch*		0500 0449
Spot drilling collar for pipe Ø 044 - 051 mm, length: 7.8 Inch*		0500 0610
Spot drilling collar for pipe Ø 048 - 055 mm, length: 7.8 Inch*	1 1/2"	0500 0611
Spot drilling collar for pipe Ø 052 - 059 mm, length: 7.8 Inch*		0500 0612
Spot drilling collar for pipe Ø 057 - 064 mm, length: 7.8 Inch*	2"	0500 0613
Spot drilling collar for pipe Ø 063 - 070 mm, length: 7.8 Inch*		0500 0614
Spot drilling collar for pipe Ø 070 - 077 mm, length: 7.8 Inch*	2 1/2"	0500 0615
Spot drilling collar for pipe Ø 075 - 083 mm, length: 7.8 Inch*		0500 0616
Spot drilling collar for pipe Ø 082 - 090 mm, length: 7.8 Inch*		0500 0617
Spot drilling collar for pipe Ø 087 - 097 mm, length: 7.8 Inch*	3"	0500 0618
Spot drilling collar for pipe Ø 095 - 104 mm, length: 7.8 Inch*		0500 0619
Spot drilling collar for pipe Ø 102 - 112 mm, length: 7.8 Inch*		0500 0620
Spot drilling collar for pipe Ø 108 - 118 mm, length: 7.8 Inch*	4"	0500 0621
Spot drilling collar for pipe Ø 118 - 128 mm, length: 7.8 Inch*		0500 0622
Spot drilling collar for pipe Ø 125 - 135 mm, length: 7.8 Inch*		0500 0623
Spot drilling collar for pipe Ø 133 - 144 mm, length: 7.8 Inch*	5"	0500 0624
Spot drilling collar for pipe Ø 145 - 155 mm, length: 9.8 Inch*		0500 0625
Spot drilling collar for pipe Ø 151 - 161 mm, length: 9.8 Inch*	6"	0500 0626
Spot drilling collar for pipe Ø 159 - 170 mm, length: 9.8 Inch*		0500 0627
Spot drilling collar for pipe Ø 168 - 180 mm, length: 9.8 Inch*		0500 0628
Spot drilling collar for pipe Ø 180 - 191 mm, length: 9.8 Inch*	7"	0500 0629
Spot drilling collar for pipe Ø 193 - 203 mm, length: 11.8 Inch*		0500 0630
Spot drilling collar for pipe Ø 200 - 210 mm, length: 11.8 Inch*		0500 0631
Spot drilling collar for pipe Ø 209 - 8.66 inch, length: 11.8 Inch*	8"	0500 0632

\* incl. 1/2" ball valve

\* not suitable for copper and plastic pipes

\* not suitable for aluminum