

Instruction Manual

Digital Display DS 51

for panel mounting

Order no. 0500 0006

for 0/4...20 mA sensors



Table of content

Page

Introduction	2
Safety instructions	3
Short-form instruction DS 51 with 0/4...20 mA sensors	4
Menu with all functions	5
Lock operation menu/alarm values, enter code, Iscale sensor signal	6
Calibration/adjustment	7
Warranty	7
Technical data	8
Mounting	9
Order information	10

Introduction

Dear customer,

Thousands of customers buy our high standard products every year. There are a few good reasons for doing so:

- The cost-performance ratio - reliable quality at a fair price.
- We have the ideal solutions for your measuring tasks based on our expert experience gained over 20 years.
- Our high quality standard.
- Of course, our instruments carry the CE symbol required by the EU.
- We issue calibration certificates and hold seminars.
- Also after the purchase we do not leave you out in the cold - we offer a good after sales service.

Our service grants you a fast help.



Measuring instrument conforms with **DIN EN 61326**

1. Safety instructions

Observe measuring ranges of the sensors!

Observe the admissible storage and transportation temperature as well as the permitted operating temperature (e. g. protect the instrument from direct insolation)

Adjustments and calibrations should only be carried out by qualified employees from the measurement and control technology branch.

We offer you to take back the instruments DS 51, which you would like to dispose of.

The manufacturer cannot be held liable for any damage which occurs as a result of non-observance or non-compliance with these instructions. Should the device be tampered with in any matter other than a procedure which is described and specified in the manual, the warranty is cancelled and the manufacturer is exempt from liability.

CS Instruments GmbH offers no guarantee for the suitability for any other purpose and is not liable for errors which may have slipped into this operation manual. CS Instruments GmbH is also not liable for consequential damage resulting from the delivery, capability or use of this device.

Initiation (electrical connection)

When operating electrical instruments it is unavoidable that certain components are energised dangerously. Work at electrical installations or equipment is only allowed to be carried out by electrical technicians or instructed staff under the guidance and supervision of an electrical technician according to the electrical regulations.

Warning

Any non-observance of the warning notes may cause grievous bodily harm or property damages. Qualified staff has to be well familiar with all warnings according to this instruction manual. The correct and safe operation is subject to a proper transport, professional installation and accurate initiation. The following notes on safety are applied in order to stress safety relevant procedures in this instruction manual - every note is marked by a corresponding icon.



This symbol means: **Note!**

"Note" marks activities or procedures which have a fundamental influence on correct operation. Any non-observance may possibly lead to subsequent damages.



This symbol means: **Warning!**

"Warning" indicates activities or procedures which may lead to a safety risk for persons and property damages in case of non-observance.

2. Short-form instruction DS 51 with 0/4...20 mA sensors

Power supply and alarm connection:



Attention!
Mains voltage!

Sensor			A1-2			A1-1			230VAC		
U+	SIG	GND	[Wiring Diagram]			[Wiring Diagram]			PE	N	L
1	2	3	4	5	6	7	8	9	10	11	12

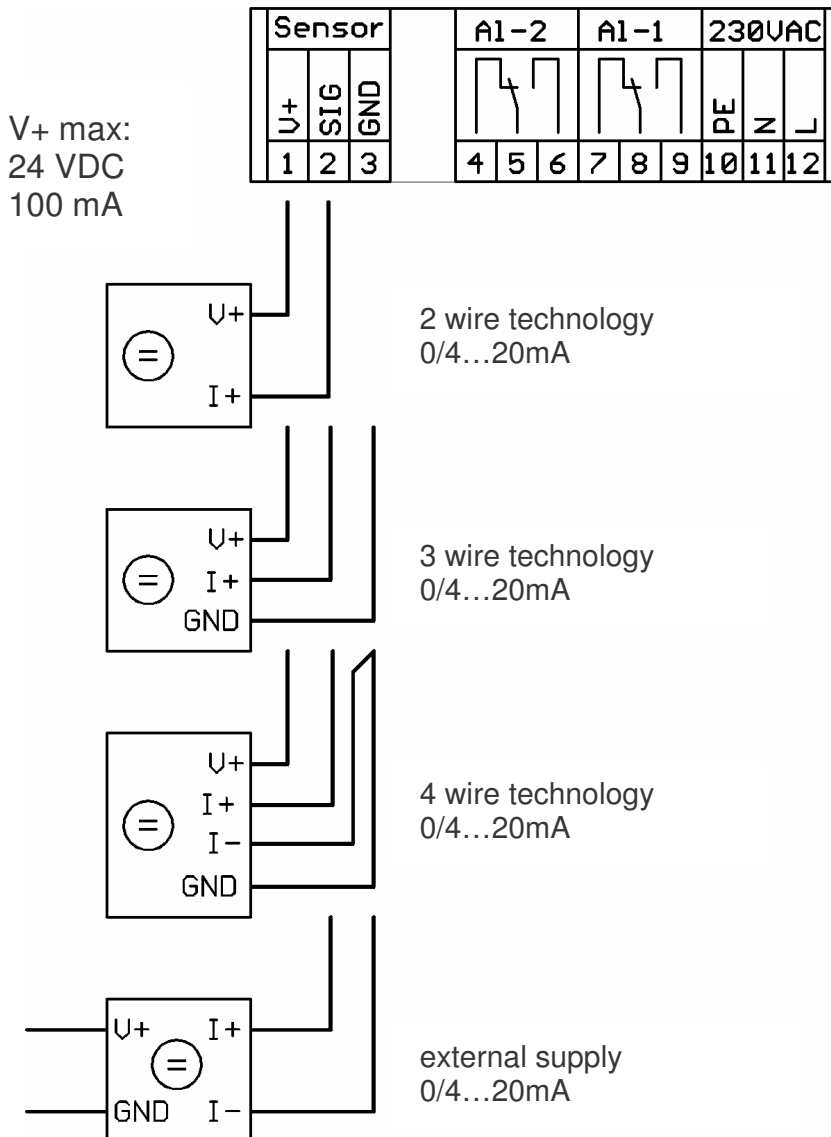
AC Power
230 VAC
50 Hz

Σ COM Σ COM Σ COM
 Alarm2 Alarm1
 max. 230VAC 3A

NC und COM are closed
in case of:
- alarm exceeding
- voltage drop
- sensor break

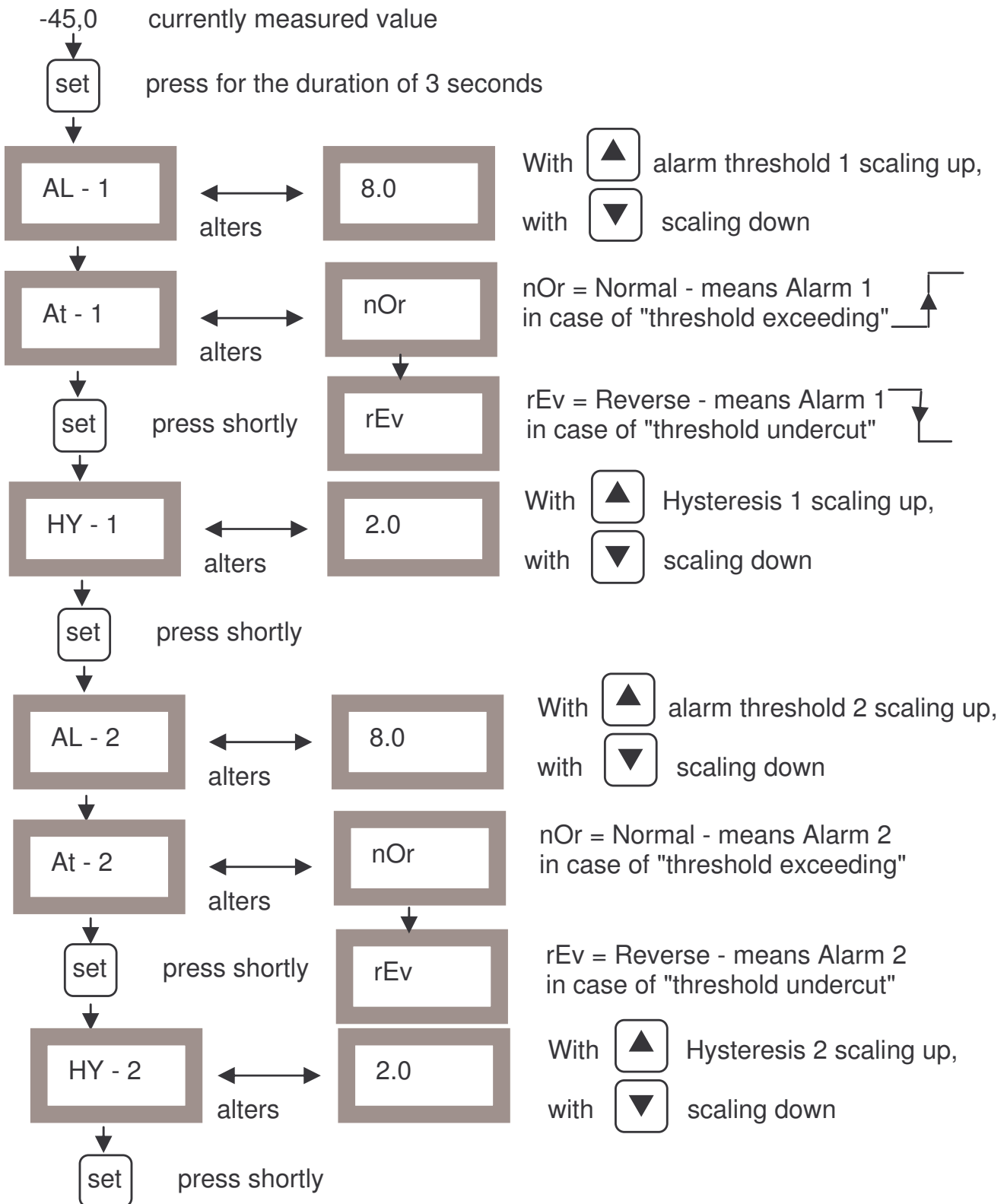
DS 51 has one analogue sensor input for connection of sensors with 0/4...20 mA signal. The sensor input is configured on our premises (according to the customers specification in the order).

Sensors with 0/4...20 mA-current signal are connected as follows:



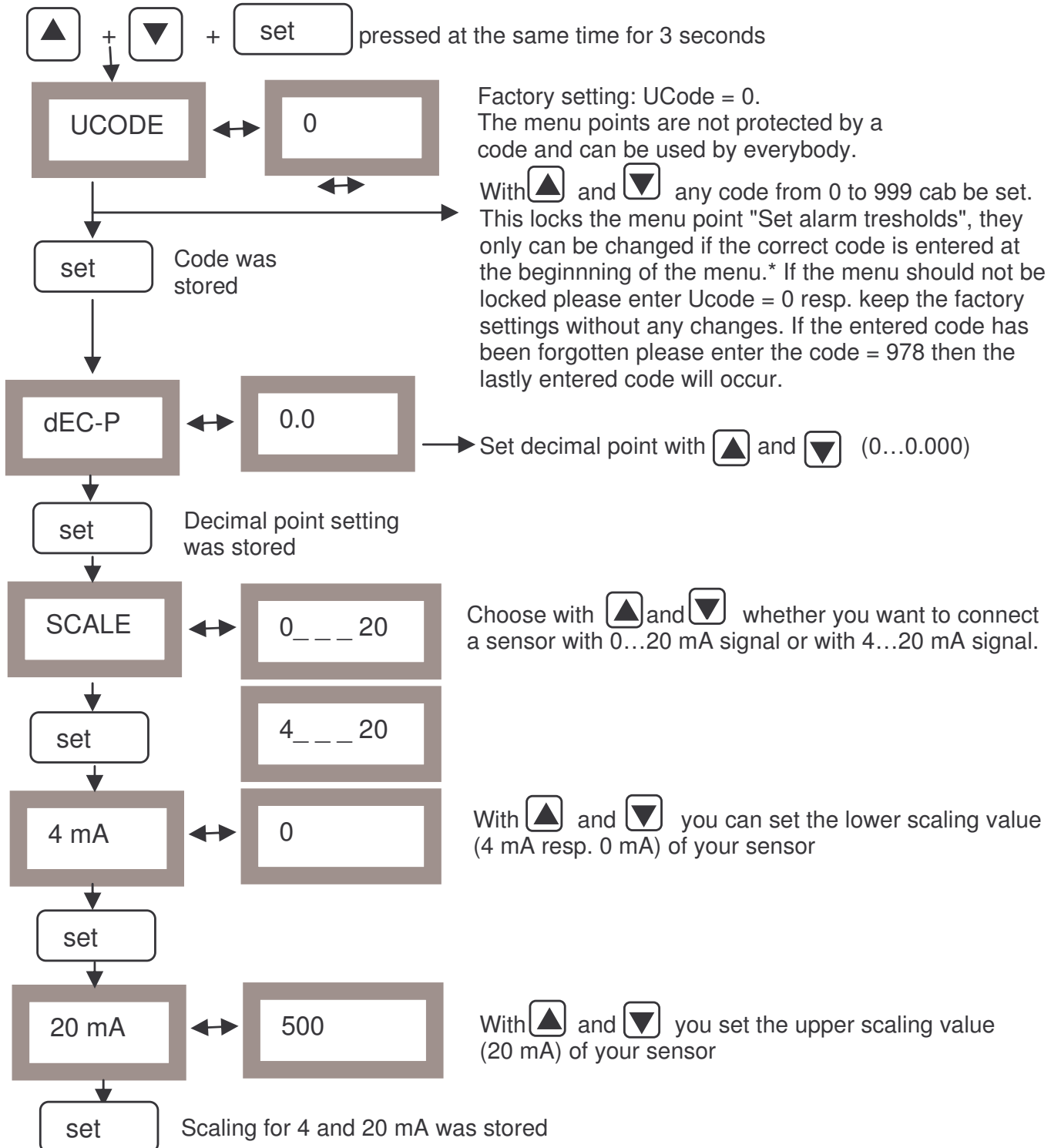
3. Menu with all functions

The operation in detail:



4. Lock operation menu/alarm values - enter code - scale sensor signal

The instruments operation (adjustment of alarm values) can be locked by means of a code.



In order to access the measuring menu please press the SET key for 3 seconds. For further operation steps please see point 3. If you have entered a code please use this code in order to set the alarm values (see point 3. "Menu with all functions", page 5).

5. Calibration/adjustment

At CS Instruments

According to DIN ISO certification of the measuring instruments we recommend to calibrate and if applicable to adjust the instruments regularly at the manufacturer. The calibration intervals should comply with your internal specification. According to DIN ISO we recommend a calibration interval of one year for the instrument DS 51 including probes.

6. Warranty

If you have reason for complaint we will of course repair any faults free of charge if it can be proven that they are manufacturing faults. The fault should be reported immediately after it has been found and within the warranty time guaranteed by us. Excluded from this warranty is damage caused by improper use and non adherence to the instruction manual.

The warranty is also cancelled once the instrument has been opened - as far as this has not been mentioned in the instruction manual for maintenance purposes - or if the serial number in the instrument has been changed, damaged or removed.

The warranty time for DS 51 is 12 months, the warranty time of the accessories in 6 months. Warranty services do not extend the warranty time.

If in addition to the warranty service necessary repairs, adjustments or similar are carried out the warranty services are free of charge but there is a charge for other services such as transport and packaging costs. Other claims, especially those for damage occurring outside the instrument, are not included unless responsibility is legally binding.

After sales service after the warranty time has elapsed

We are of course there for you even after the warranty time has elapsed. In case of malfunctions please send us the instrument with a short-form description of the fault. Please do not forget to indicate your telephone number so that we can call you in case of any questions.

8. Technical data

Housing dimensions	96 mm x 48 mm (B x H), mounting depth: 95 mm
Display	LED red, 7 segments, height: 13 mm, 5 digits, 2 LED for switching outputs (alarm relays)
Keypad	3 keys: Set, Up, Down
Sensor input	1 x analogue input for sensors with 0...20 mA or 0/4...20 mA signal. Connectable in 2-/3- or 4-wire-technologie possible with 24 VDC supply
Burden analogue input	100 Ohm
Accuracy analogue input	max. $\leq \pm 20 \mu\text{A}$, typical 10 μA
Sensor supply	24 VDC with Polyfuse max. 100 mA
Voltage supply	230 VAC, 50/60 Hz
Outputs	2 x relays output, changer, 250 VAC, max. 3 A
Operation temperature	-10 °C...+60 °C (storage temperature: -20 °C...+80 °C)
Alarm thresholds	freeley adjustable
Hysteresis	2 °Ctd

9. Mounting

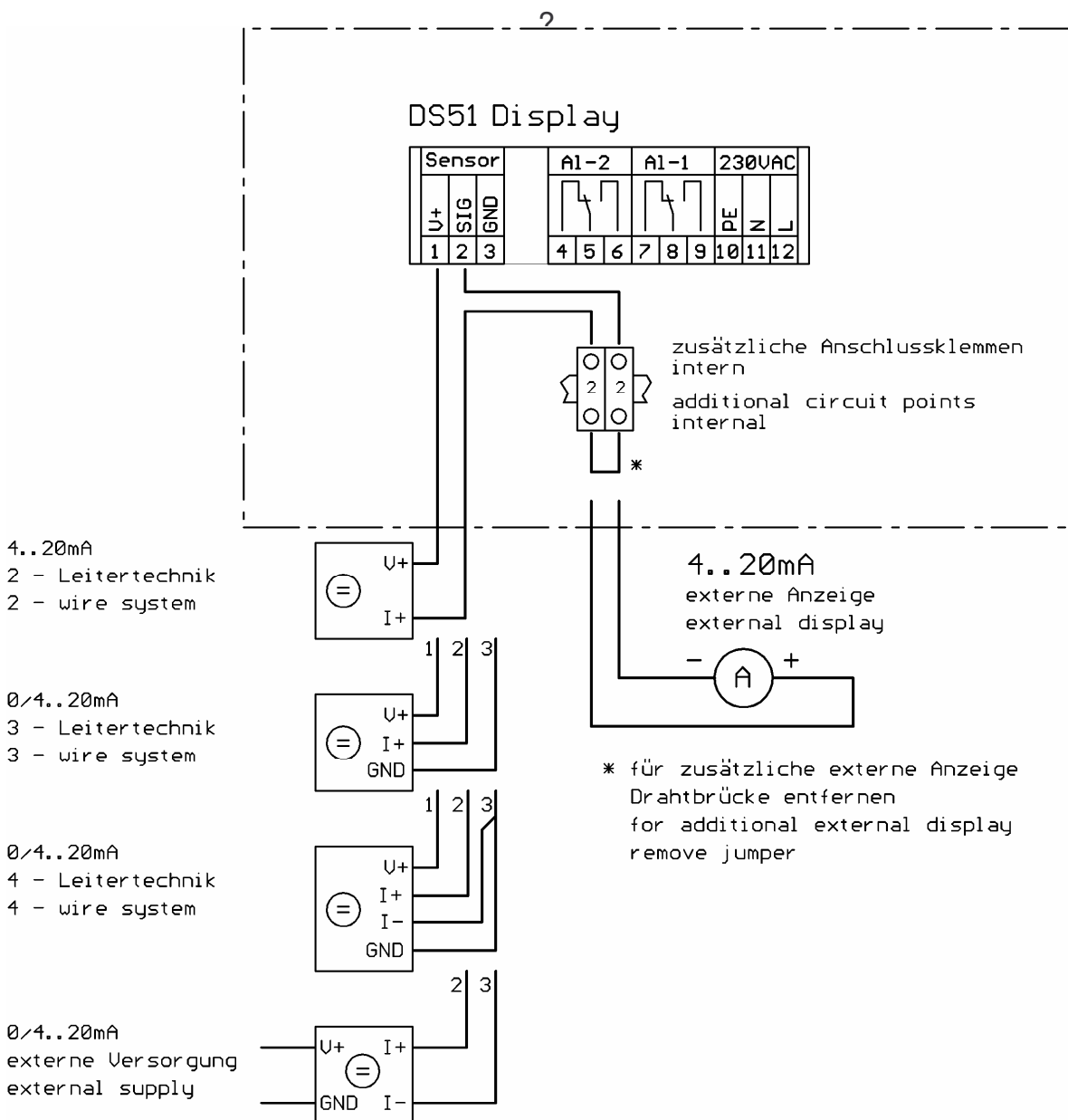
9.1 Panel mounting

The instrument is concipated for panel mounting.

Recommendation for the dimensions of the panel cut-out:

Width x height: 92 + 0.8 mm x 45 + 0.6 mm

9.2 Connection for external display 0/4...20 mA



10. Order information

<i>Description</i>	<i>Order no.</i>
DS 51 - LED display for panel mounting (96 x 48 mm), Supply: 230 VAC, 50/60 Hz. Analogue sensor input for sensors with 4...20 mA or 0...20 mA signals. 2 alarm relays (change-over contact 250 VAC, max. 3 A), alarm values freely adjustable	0500 0006
<i>Options</i>	
Option for DS 51 LED display: Supply 24 VDC instead of 230 VAC, 50/60 Hz	Z500 0001
Option for DS 51 LED display: Supply 110 VAC instead of 230 VAC, 50/60 Hz	Z500 0002

Contact

- **Advice**
- **Sale**
- **Service**

Sales office North Germany

CS Instruments GmbH
Am Oker 28c
24955 Harrislee

Phone +49 (0) 461 – 700 2025
Fax +49 (0) 461 – 700 2026

E-Mail info@cs-instruments.com
www.cs-instruments.com

Sales office South Germany

CS Instruments GmbH
Zindelsteiner Straße 15
78052 VS-Tannheim

Phone +49 (0) 7705 - 97899-0
Fax +49 (0) 7705 - 97899-20

E-Mail info@cs-instruments.com
www.cs-instruments.com