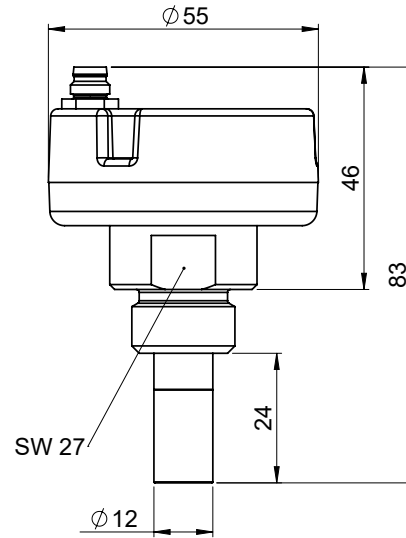


## FA 505 - Dew point sensor - for OEM applications

FA 505 - the new generation of dew point sensors for residual moisture measurement in compressed air and gases



### Special features:

- Optimized design for tight space conditions in drying systems
- Measuring range -80...20°Ctd
- Extremely long-term stable
- Analogue output 4...20 mA
- Condensation insensitive
- Quick response time
- Pressure-tight up to 350 bar (special version)
- **NEW:** Modbus-RTU interface
- **NEW:** Higher resolution of the sensor signal due to improved evaluation electronics
- **NEW:** Sensor diagnosis on site by means of hand-held instrument or CS Service Software

DESCRIPTION	ORDER NO.
FA 505 dew point sensor for desiccant driers -80...20°Ctd incl. inspection certificate, 4...20 mA output signal (2-wire connection) or Modbus-RTU interface	0699 0505
<b>Option for FA 505:</b>	
Option max. pressure FA5xx 350 bar	Z699 0515
Option special scaling FA5xx 4...20 mA=___ ... ___ g/m <sup>3</sup> , ppm etc.	Z699 0514
<b>Additional accessories:</b>	
Standard measuring chamber up to 16 bar	0699 3390
High pressure measuring chamber up to 350 bar	0699 3590
Measuring chamber, stainless steel 1.4305	0699 3290
CS Service Software for dew point sensors incl. PC connection set. USB connection and interface adapter to the sensor	0554 2007
<b>Calibration and adjustment:</b>	
Precision calibration at -40°Ctd or 3° Ctd including ISO certificate	0699 3396
Additional calibration point freely selectable in the range	0700 7710

TECHNICAL DATA FA 505	
<b>Measuring range:</b>	-80...20°Ctd, -60...30°Ctd, -20...50°Ctd
<b>Accuracy:</b>	± 1°C bei +50...-20°Ctd ± 2°C bei -20...-50°Ctd ± 3°C bei -50...-80°Ctd
<b>Pressure range:</b>	-1...50 bar special version up to 350 bar
<b>Power supply::</b>	24 VDC (10...36 VDC)
<b>Protection class:</b>	IP 65
<b>EMV:</b>	according to DIN EN 61326-1
<b>Operating temperatur:</b>	-20...70 °C
<b>Connection:</b>	M8, 4-pole
<b>PC connection:</b>	Modbus-RTU interface (RS 485)
<b>Output:</b>	4...20 mA n 2-wire technology or RS 485 Modbus
<b>Burden for analogue output:</b>	< 500 Ω
<b>Einschraubewinde:</b>	G 1/2"
<b>Via service software:</b>	% RH, °Ctd, g/m <sup>3</sup> , mg/m <sup>3</sup> , ppm
<b>Choose units:</b>	V/V
<b>Scaling:</b>	change 4...20 mA
<b>Material housing:</b>	zinc alloy
<b>Sensor protection:</b>	Sintered filter 50 µm stainless steel